



DRAFT! DO NOT SUBMIT!

IPFW Paper Template

Firstname1 Lastname1<email1>

Firstname2 Lastname2<email2>

SE5XX

March 30, 2017

List of Corrections

Note: Don't forget to write the introduction. 2
Warning: Really, don't forget to write the introduction. 2

L^AT_EX Hints

- Put one sentence per line
- Compile the document often and look for errors. If you find one, try commenting out the area to locate the source of the problem.
- Watch out for & and %. They have to have a left-slash in front of them.

1 Introduction

cochrand Note: Don't forget to write the introduction. cochrand Warning: Really, don't forget to write the introduction. What is the idea? What is it called and why? Who is the target customer?

1.1 Customer Needs

What would a customer need the item to do? Using Axiomatic Design theory, this is stated as a numbered list of Customer Needs(CN) [1]. The top level is CN₀. This is often (but not always) decomposed into CN₁, CN₂, etc. Here is an example of a top level:

CN₀ A transfer bin for whole salmon, compatible with the SureTrack grader, cheaper and less prone to cracking due to skewing. The bin should be adaptable to a pure transfer task and be able to discharge anywhere along its path without accidental discharge. [2]

2 Prior Art

What exists that is similar? How is yours better/distinctive? Give at least two examples and quantify the differences (numeric values). If you say something is cheaper, you need to give the costs for both items.

Sources

You will want to cite all these similar concepts/products. As an example of a citation, Carryer et al. [3] is the textbook for T-411-MECH Mechatronics 1.

3 Design

As previously mentioned, using Axiomatic Design Theory is a good way to develop your design.

Here is a brief synopsis from Omarsdóttir et al.[4]:

Rather, the focus was placed on developing comprehensive FR and DP lists, then evaluating the coupling between them. This coupling is symbolized in a design matrix, which is a Cartesian product of all FR and DP combinations [5, 6]. Where there is an interaction between an FR and DP,

Table 1: First level FR-DP mapping. [2]

ID	Functional Requirement	Design Parameter
1	Contain product	Main weldment
2	Move product	Support system
3	Discharge product	Discharge system

this is denoted by a non-zero coefficient, or in the case of the value being unknown, simply a placeholder variable X . Minor levels of coupling, often considered higher-order effects, are annotated with x to show their lessened effect. A diagonal matrix is “uncoupled” and satisfies the Independence Axiom: “to maintain the independence of the functional requirements (FRs)” [7]. Such a design can be easily optimized by adjusting a particular FR or DPs without affecting others. A diagonal matrix indicates a “decoupled” or “path-dependent” solution, which can still be optimized, but the ordering of parameter choice selection becomes important. All other design matrices are “coupled” and may have a usable local solution but usually resist modification and optimization [7]. Needless to say, the focus is on minimizing coupling wherever it may appear.

ADT’s second axiom is “minimize the information content of the design.” Simply put, ensure that the design has the highest probability of meeting the stated FRs. When systems are not able to meet FRs all of the time, this is denoted in ADT as “complexity” and is deeply explored in [8]. As will become apparent in the next section, this axiom became integral to the design of the interaction between the robot and its chess pieces. Finally, any factors to be considered that are not functional are categorized as “Constraints.” These are often resource-focused and affect all of the design decisions; they need to be revisited often especially when choosing between otherwise equivalent implementations.

The first axiom is often called the Independence Axiom, and the second, the Information Axiom.

From the Customer Needs, we build a list of Functional Requirements.

Again, we start with a top-level FR₀: “Contain 25 kg of fish on SureTrack conveyor until release is triggered” From this, a top-level Design Parameter DP₀: Gable-reinforced stainless-steel locking bin with bi-directional discharge [2].

We continue a “zig-zag” procedure to decompose and map the FRs to the DPs as shown in Table 1.

From this mapping we develop a design matrix as shown in Equation 1 from [2].

$$\begin{Bmatrix} FR_1 \\ FR_2 \\ FR_3 \end{Bmatrix} = \begin{bmatrix} X & 0 & X \\ 0 & X & 0 \\ 0 & 0 & X \end{bmatrix} \begin{Bmatrix} DP_1 \\ DP_2 \\ DP_3 \end{Bmatrix} \quad (1)$$

This matrix is de-coupled i.e. path-dependent, meaning it can be optimized, but the order matters.

Often people ask how to include a graphic with automatic sizing. In Figure 1, the width of the graphic is tied to the width of the allowed text. In Figure 2, the height is set to a specific value.

4 Schedule

Rough schedule of how you will perform the tasks. A per-week estimation is sufficient. This should be in a table or list.

- Week 1: Brainstorm, search for parts
- Week 2: Finish literature review and proposal

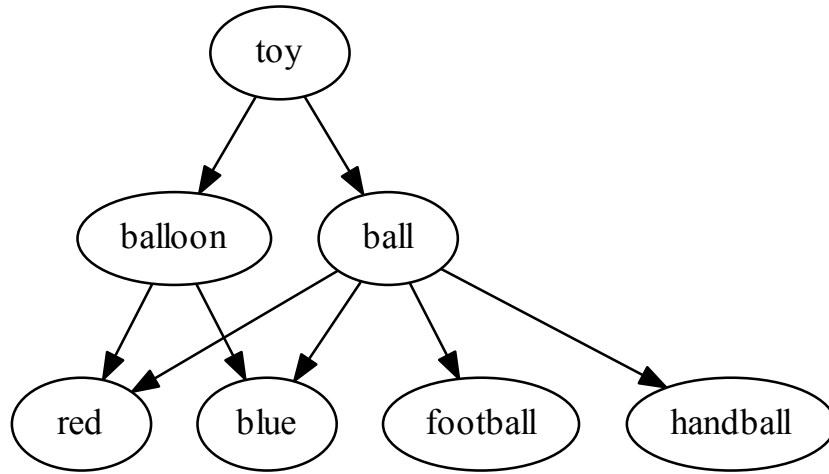


Figure 1: Modular dependency diagram for a toy decomposition.

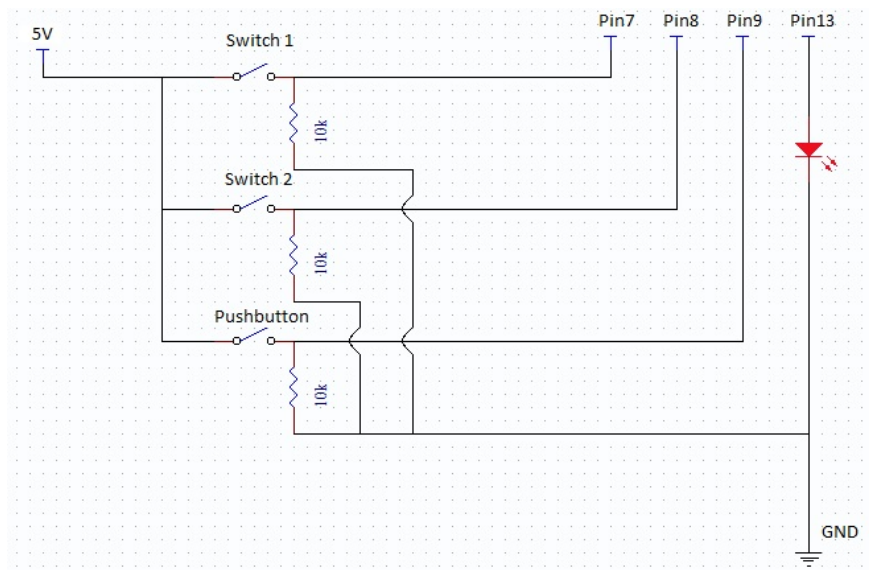


Figure 2: Circuit diagram of a simple switching system.

Table 2: Bill of Materials example

Vendor	Model	Description	Each <i>USD</i>	Each <i>ISK</i>	Quantity	Total <i>ISK</i>
SparkFun	123	RedBoard	40.00	6000	1	6000
					Total	6000

5 Bill of Materials

Make a table of what you will need, quantity, vendor, and cost. See Table 2 for an example. You should be able to give this parts list to Hrrannar (or someone else) and they will be able to purchase exactly what you want without asking questions. At the bottom should be a total in ISK. Don't forget to estimate VAT and import Tariffs.

6 Impact

If successful, what impact will this design have? How easy is it to turn into a business? What would you expect for volume/sales?

References

- [1] N. P. Suh, *The Principles of Design*. Oxford University Press, 1990.
- [2] K. Gerhard and J. T. Foley, "Redesign of the Suretrack grader transfer bin using Axiomatic Design," in *Procedia CIRP, 10th International Conference on Axiomatic Design (ICAD)*, A. Liu, Ed., vol. 35, Procedia CIRP. Xi'an, China: Elsevier ScienceDirect, 2016, p. 6.
- [3] J. E. Carryer, R. M. Ohline, and T. W. Kenny, *Introduction to Mechatronic Design*. Pearson Education, 2011.
- [4] F. Y. Ómarsdóttir, R. B. Ólafsson, and J. T. Foley, "The axiomatic design of chessmate: a chess-playing robot," in *Procedia CIRP, 10th International Conference on Axiomatic Design (ICAD)*, A. Liu, Ed., vol. 35, Procedia CIRP. Xi'an, China: Elsevier ScienceDirect, 2016, p. 6.
- [5] D. S. Cochran, J. T. Foley, and Z. Bi, "Use of the Manufacturing System Design Decomposition for Comparative Analysis and Effective Design of Production Systems," *International Journal of Production Research*, p. 24, 2016.
- [6] E. M. Benavides, *Advanced engineering design - An integrated approach*. Woodhead Publishing, 2012.
- [7] N. P. Suh, *Axiomatic Design - Advances and Applications*. Oxford University Press, 2001.
- [8] —, *Complexity*. Oxford University Press, 2005.
- [9] A. Liu, Ed., *10th International Conference on Axiomatic Design (ICAD)*, vol. 35, Procedia CIRP. Xi'an, China: Elsevier ScienceDirect, 2016.

A Quotes

For large or expensive items, include a PDF that has the quote/invoice.

B Drawings

If you have additional concept drawings or CAD, including from previous ideas, put them here.